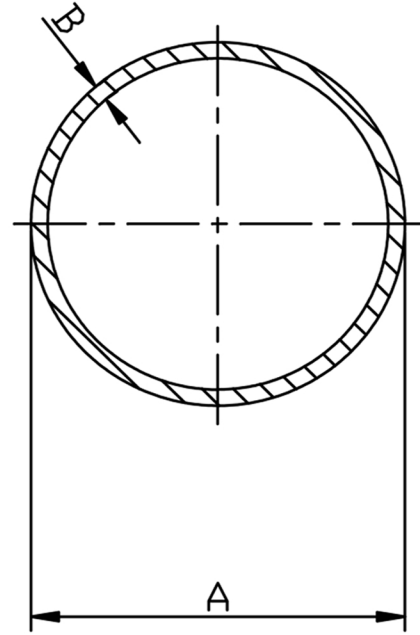


SIZE (OD) MM	B MM	MAXIMUM WORKING PRESSURE	KG / MTR
4	1	642	0.08
6	1.5	642	0.17
6	1	428	0.13
6	2	856	0.20
8	1.5	481	0.24
8	1	321	0.18
8	2	642	0.30
10	1.5	385	0.32
10	1	257	0.23
10	2	513	0.32
12	1.5	321	0.39
12	1	214	0.28
12	2	428	0.50
14	1.5	275	0.47
14	1	183	0.33
14	2	367	0.60
15	1.5	257	0.51
15	1	171	0.35
15	2	342	0.65
16	1.5	241	0.55
16	1	160	0.38
16	2	321	0.70
16	2.5	401	0.85
18	1.5	214	0.62
18	2	285	0.80
20	1.5	193	0.70
20	2	257	0.90
20	2.5	321	1.10
20	3	385	1.28
22	1.5	175	0.77
22	2	233	1.00
25	1.5	154	0.88
25	2	205	1.15
25	2.5	257	1.41
25	3	308	1.65
28	1.5	183	1.30
28	2.5	229	1.60
28	2	183	1.30
30	2	171	1.40
30	3	257	2.03
30	4	342	2.60
35	2	147	1.65
35	3	220	2.40
38	3	203	2.63
38	4	270	3.41
38	5	338	4.13
42	3	183	2.93



Our Range of Welded Pipe is to ASTM A312. Our 316 and 304 Stainless Steel pipe sizes range from size 1/8" to 8" (DN6 to DN200) Larger sizes and other grades are available.

We also offer cutting and threading services.

We also stock...



Stainless Steel Compression Fittings



DELIVERY AS SOON AS NEXT DAY



EXPERT KNOWLEDGE OF THE INDUSTRY



WORLD CLASS CUSTOMER SERVICE